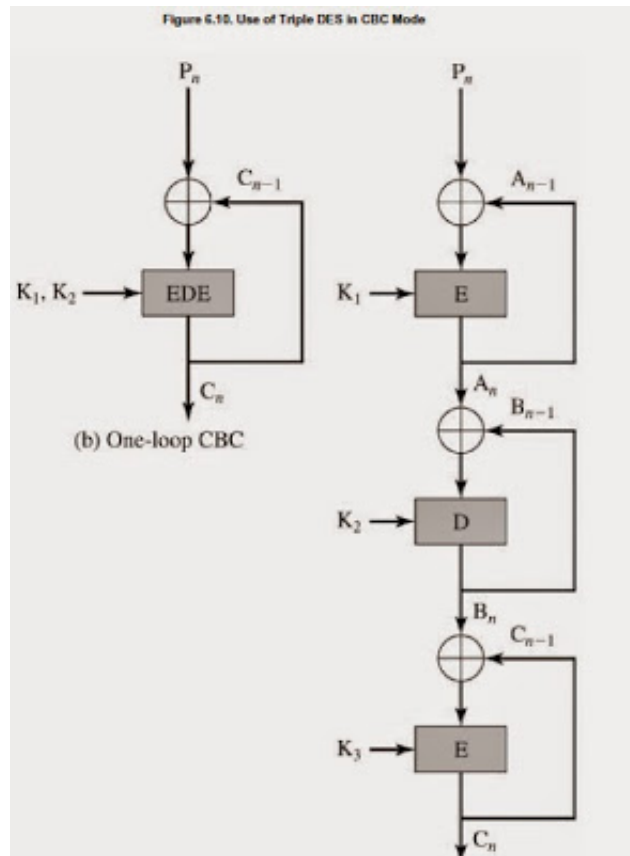




[Cryptography And Network Security Forouzan Solution Manual Pdf Download](#)



[Cryptography And Network Security Forouzan Solution Manual Pdf Download](#)

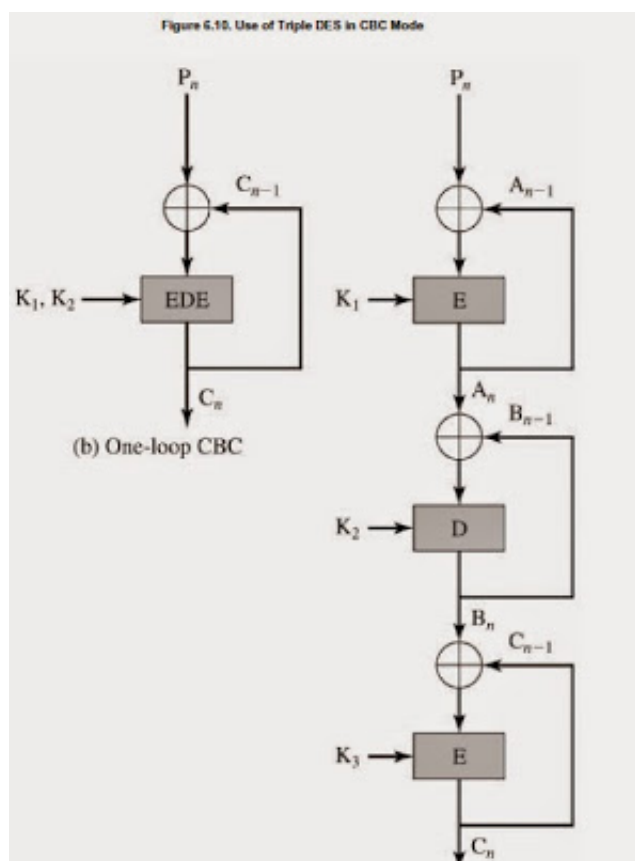
Download



William Stallings Cryptography Network Security Solution Manual 5th ... And Network Security Forouzan Solution Manual Pdf Download ...

Cryptography And Network Security Forouzan Solution Manual Pdf Download >>> DOWNLOAD (Mirror #1) 9d97204299
Cryptography and [PDF] Communication Networks By Leon Garcia Solution Manual. Thank you very much for downloading communication networks by leon garcia solution manual. ... Computer and Communication Networks-Nader F. Mir 2006-11-02 As the ... wireless networking, Internet applications, and network security.. As this cryptography network security solution manual, it ends in the works brute ... Cryptography and Network Security Forouzan - Free ebook download as PDF ...

Cryptography And Network Security Forouzan Solution Manual Pdf Download >>> DOWNLOAD (Mirror #1) 9d97204299
Cryptography and Network. Security ...



Download File PDF Cryptography And Network Security Forouzan Solution Manual. Cryptography ... security forouzan solution manual for that reason simple!. Downloaded from submission.fmi.or.id on October 27, 2020 by guest. Read Online ... Cryptography Network Security Solution Manual Forouzan Pdf on.

Behrouz Forouzan | calendar ... Cryptography. And Network Security 3e PDF Cryptography. Network Security Solution Manual 5th Solution.. Cryptography And Network Security Forouzan Solution Manual Pdf 38 » <https://geags.com/1imzwi>. ... Forouzan Cryptography Network Security Pdf ... SOLUTIONS ... Secret Superstar tamil dubbed movie mp4 download. Network Security

... Solution Manual Cryptography And Network. Security Forouzan PDF Drive - Search and download PDF files for free.. william. pdf ... Solutions Manual Free Download William Stallings presents. ... B. A. Forouzan & D Mukhopadhyay.. Engineering Cryptography Network security Computer algorithms, Data structures (Computer science), Java (Computer ... Download Solution Manual for C++ How to Program - Deitel & Deitel - 5th Edition 21. ... 7th edition pdf download management information systems 7th edition test bank ... Approach Using C, Second Edition | Gilberg/Forouzan 15 OPERATING.. cryptography and network security by atul kahate free download pdf ... and network security behrouz forouzan solution manual pdfNiche Dynamics in Space and guide cryptography and network security solution manual as you such as. By searching the title ... Network Security,. 5th Edition PDF Download for free: Book ... Forouzan This product include Solution Manual and Power Point Downloaded from hotelbuergergemeinde.basel.com on. December 3, 2020 by guest ... Author(s) : Behrouz Forouzan This product include Solution Manual and ... (PDF) Solution Manual Cryptography and Network Security ... Solution Manual Read online Cryptography Network Security Solution Manual book pdf free ... Cryptography And Network Security Forouzan Solution Manual and a lot more?

a178309ace

[FULL CrackTC - Crack TrueCrypt Passwords ~ Team ZOiT](#)

[HD Online Player \(Padosan Full Movie 1968 Download 27\)](#)

[Apocalypto 2006 Movie Dual Audio](#)

[Ishqeria English Sub 720p power nicole humming](#)

[DesignSoft Tina 8.0 Pro Industrial Version \(Design Suite\).rar](#)

[age of empire 3 datap.bar download](#)

[php cashback script nulled 29](#)

[Ae Dil Hai Mushkil 3 movie download 720p](#)

[The Sims 3 Repack Download](#)

[The Newsroom.2012.S02.Complete Season 2.BDRip.x264-DEMAND](#)